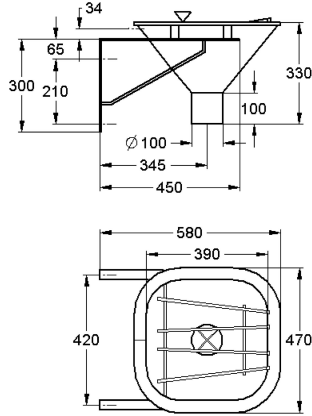


## KWC SIRIUS Disposal sink

Modell-Linie: SIRIUS | SIRX370  
Utility sinks | Cleaners sinks



### KWC-No.

**2000101175**

Dimensions 470 x 330 x 470 mm (W x H x D)

Disposal sink made of nickel-chromium steel 316Ti, surface satin finished, for wall mounting, concealed circular flushing rim, with rinsing tube connector for flush valve provided by customer, flush water volume 6 l. Vertical outlet DN 100, with removable strainer,

hinged grating made of nickel-chromium steel for buckets, wall brackets and fixing material.

Dimensions 470 x 360 x 580 mm (B x H x D)

### Technical Data

bowl position
bowl - bowl height
bowl finish
bowl - depth
bowl shape
bowl - width
colour
grid
grid material
material
material code
material thickness
outlet size
overall depth
overall height
overall width
overflow
rear upstand
wash riffle
siphon diameter
siphon included
spillway
splash back
surface finish
tap ledge
type of mounting

Center
230 mm
satin finished
390 mm
rounded rectangle
390 mm
no colour
hinged
stainless steel
stainless steel
1.4571
1.5 mm
DN 100
580 mm
360 mm
470 mm
no
yes
no
DN 100
no
no
no
satin finished
no
wall mounting

## KWC SIRIUS

### Disposal sink

**Modell-Linie: SIRIUS | SIRX370**

Utility sinks | Cleaners sinks

waste hole position	centre
waste hole projection	345 mm
waste kit included	no
waste size	DN 100
waste sleeve included	no
bowl position	Center
bowl construction	radius corners
bowl - bowl height	230 mm
bowl finish	satin finished
bowl - depth	390 mm
bowl shape	rounded rectangle
bowl - width	390 mm
brushes	Without brushes
drainer or storage	no
grid	hinged
grid material	stainless steel
material	stainless steel
material code	1.4571
material code grid	1.4301 Chrome Nickel steel V2A
material thickness	1.5 mm
minimum flushing capacity	6 Liter
number of waste holes	1
outlet size	DN 100
overall depth	580 mm
overall height	360 mm
overall width	470 mm
overflow	no
rear upstand	yes
wash riffle	no
siphon included	no
spillway	no
splash back	no
sump	no
sump basket	no
surface finish	satin finished
tap ledge	no
type of mounting	wall mounting
type of utility sink	slop hopper
number of wash places	1
waste hole position	centre
waste hole projection	345 mm
waste kit included	no
waste size	DN 100

### Optional Accessories

## KWC SIRIUS Disposal sink

Modell-Linie: SIRIUS | SIRX370  
Utility sinks | Cleaners sinks



Trap

---

**2000102733**  
ZCMPX002

---



Trap

---

**2000102734**  
ZCMPX003

---