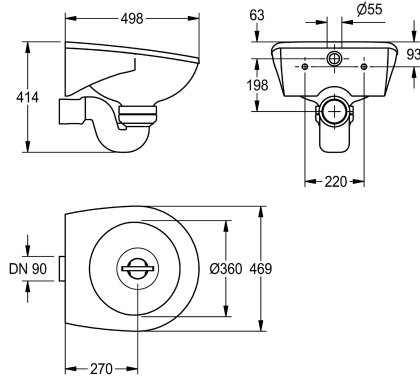


KWC SIRIUS Disposal sink

Modell-Linie: SIRIUS | SIRW511
Utility sinks | Cleaners sinks



KWC-No.

2000101200

Disposal sink for wall mounting made of MIRANIT resin-bonded mineral material. With pore-free, smooth surface (temperature-resistant up to 80 °C). Alpine white colour. Round bowl with integrated circular flushing rim, internal horizontal water connection. Integral back panel with integrated brackets and holes for fixing. Fastening material included. Siphon made of plastic material DN

100 with horizontal outlet. With outlet grating made of nickel-chromium steel to prevent clogging.

Dimensions 469 x 414 x 498 mm (W x H x D)
Bowl diameter 360 mm

Technical Data

bowl - depth	360 mm
bowl - width	360 mm
grid	optional
material	mineral material
material code	Miranit
overall depth	498 mm
overall height	414 mm
overall width	469 mm
rear upstand	no
splash back	no
sump	no
sump basket	no
surface finish	coated
tap ledge	no
type of mounting	wall mounting
waste hole position	centre
waste hole projection	270 mm
waste size	DN 100

Optional Accessories

KWC SIRIUS Disposal sink

Modell-Linie: SIRIUS | SIRW511
Utility sinks | Cleaners sinks



SIRIUS bucket grating

2000101201
SIRX512



SIRIUS siphon cover

2000101202
SIRX514
