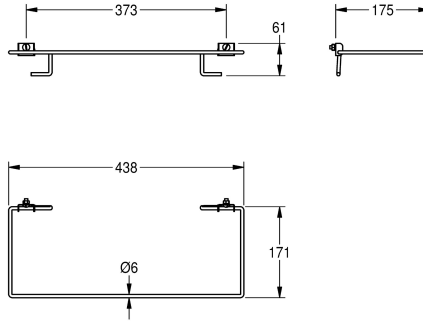


## KWC RODAN Bag holder

Modell-Linie: RODAN | E-RODX607  
Accessories | Complementary parts accessories



### KWC-No.

**2000101350**

Bag holder for waste bin RODX607, for screw mounting

Bag holder for waste bin RODX607, for screwing, stainless steel, surface satin finished, material thickness 0.8 mm / 6 mm, hinged,

includes stainless steel screws and nuts.

### Technical Data

|                    |
|--------------------|
| material           |
| material code      |
| material thickness |
| overall depth      |
| overall height     |
| overall width      |
| surface finish     |
| type of mounting   |

|                                |
|--------------------------------|
| stainless steel                |
| 1.4301 Chrome Nickel steel V2A |
| 0.8 mm                         |
| 171 mm                         |
| 61 mm                          |
| 441 mm                         |
| satin finished                 |
| bolt mounting                  |