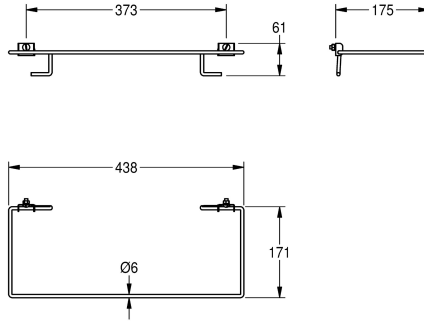


KWC RODAN Bag holder

Modell-Linie: RODAN | E-RODX607
Accessories | Complementary parts accessories



KWC-No.

2000101350

Bag holder for waste bin RODX607, for screw mounting

Bag holder for waste bin RODX607, for screwing, stainless steel, surface satin finished, material thickness 0.8 mm / 6 mm, hinged,

includes stainless steel screws and nuts.

Technical Data

material
material code
material thickness
overall depth
overall height
overall width
surface finish
type of mounting

stainless steel
1.4301 Chrome Nickel steel V2A
0.8 mm
171 mm
61 mm
441 mm
satin finished
bolt mounting