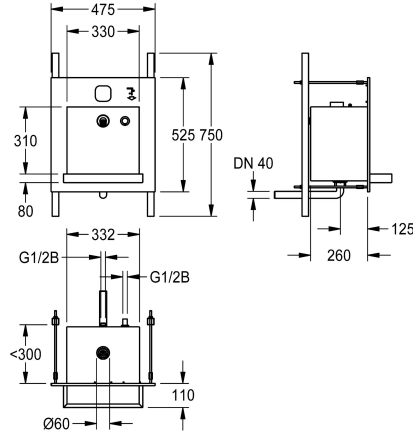


## KWC ALL-IN-ONE

Washbasin unit for water, soap

Modell-Linie: ALL-IN-ONE | ALIO330

Washbasins & Washtroughs | Wash basins



### KWC-No.

**2000101444**

ALL-IN-ONE washbasin unit for water, soap, air

**2000101445**

ALL-IN-ONE washbasin unit for water, soap

Washing unit for installation in the wall, vandal-resistant, particularly suitable for public toilet facilities in car parks and parking decks. Function components accessible via service room. Complete unit with housing, user area and bowl made of stainless

steel, surface brushed, welded. Bowl projection 125 mm.

Dimensions 475 x 530 x 390 mm (W x H x D)  
For the delivery of water and soap

### Technical Data

bowl position	Center
bowl - bowl height	370 mm
bowl finish	satin finished
bowl - depth	40 mm
bowl shape	rectangle
bowl - width	330 mm
colour	no colour
material	stainless steel
material code	1.4301 Chrome Nickel steel V2A
material thickness	1.2 mm
overall depth	390 mm
overall height	530 mm
overall width	475 mm
overflow	no
siphon included	no
surface finish	satin finished
tap ledge	no
type of mounting	recessed mounting
type of waste kit	welded perforated waste (non r
waste hole position	centre
waste kit included	yes



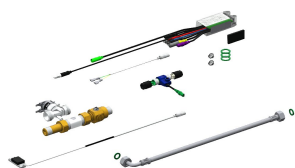
### Mandatory Accessories

## KWC ALL-IN-ONE

Washbasin unit for water, soap

Modell-Linie: ALL-IN-ONE | ALIO330

Washbasins & Washtroughs | Wash basins



### ALL-IN-ONE soap tank

2000101448  
ZAQUA083

### Electronic tap components

2000101449  
AQUA121