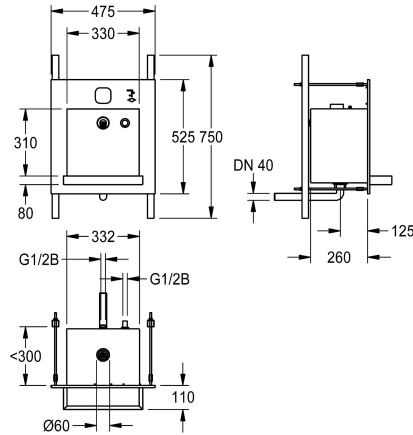


## KWC ALL-IN-ONE

Washbasin unit for water, soap

Modell-Linie: ALL-IN-ONE | ALIO330

Washbasins & Washtroughs | Wash basins



### KWC-No.

**2000101444**

ALL-IN-ONE washbasin unit for water, soap, air

**2000101445**

ALL-IN-ONE washbasin unit for water, soap

Washing unit for installation in the wall, vandal-resistant, particularly suitable for public toilet facilities in car parks and parking decks. Function components accessible via service room. Complete unit with housing, user area and bowl made of stainless

steel, surface brushed, welded. Bowl projection 125 mm.

Dimensions 475 x 530 x 390 mm (W x H x D)  
For the delivery of water and soap

### Technical Data

bowl position
bowl - bowl height
bowl finish
bowl - depth
bowl shape
bowl - width
colour
material
material code
material thickness
overall depth
overall height
overall width
overflow
siphon included
surface finish
tap ledge
type of mounting
type of waste kit
waste hole position
waste kit included

Center
370 mm
satin finished
40 mm
rectangle
330 mm
no colour
stainless steel
1.4301 Chrome Nickel steel V2A
1.2 mm
390 mm
530 mm
475 mm
no
no
satin finished
no
recessed mounting
welded perforated waste (non r
centre
yes



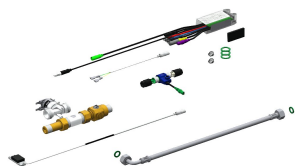
### Mandatory Accessories

## KWC ALL-IN-ONE

Washbasin unit for water, soap

Modell-Linie: ALL-IN-ONE | ALIO330

Washbasins & Washtroughs | Wash basins



### ALL-IN-ONE soap tank

---

**2000101448**  
ZAQUA083

---

### Electronic tap components

---

**2000101449**  
AQUA121

---