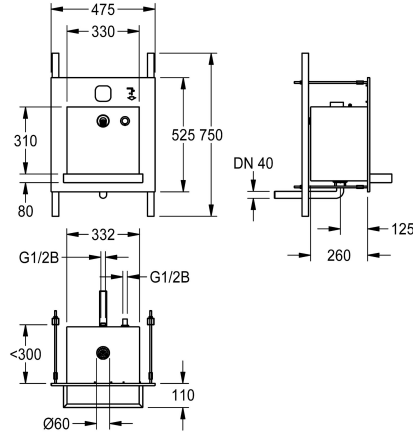


KWC ALL-IN-ONE

Washbasin unit for water, soap

Modell-Linie: ALL-IN-ONE | ALIO330

Washbasins & Washtroughs | Wash basins



KWC-No.

2000101444

ALL-IN-ONE washbasin unit for water, soap, air

2000101445

ALL-IN-ONE washbasin unit for water, soap

Washing unit for installation in the wall, vandal-resistant, particularly suitable for public toilet facilities in car parks and parking decks. Function components accessible via service room. Complete unit with housing, user area and bowl made of stainless

steel, surface brushed, welded. Bowl projection 125 mm.

Dimensions 475 x 530 x 390 mm (W x H x D)
For the delivery of water and soap

Technical Data

bowl position

bowl - bowl height

bowl finish

bowl - depth

bowl shape

bowl - width

colour

material

material code

material thickness

overall depth

overall height

overall width

overflow

siphon included

surface finish

tap ledge

type of mounting

type of waste kit

waste hole position

waste kit included

center

370 mm

satin finished

40 mm

rectangle

330 mm

No colour

stainless steel

1.4301 Chrome Nickel steel V2A

1.2 mm

390 mm

530 mm

475 mm

no

no

satin finished

no

recessed mounting

welded perforated waste (non r

centre

yes



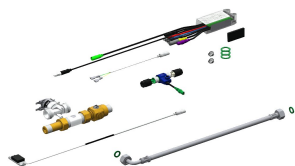
Mandatory Accessories

KWC ALL-IN-ONE

Washbasin unit for water, soap

Modell-Linie: ALL-IN-ONE | ALIO330

Washbasins & Washtroughs | Wash basins



ALL-IN-ONE soap tank

2000101448
ZAQUA083

Electronic tap components

2000101449
AQUA121
