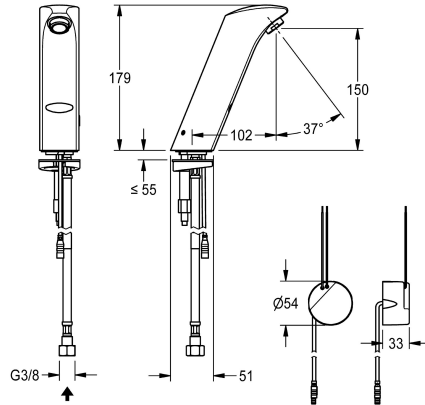


KWC PROTRONIC-S Electronic pillar tap with in-wall power supply

Modell-Linie: PROTRONIC-S | AQUA135
Taps | Electronic taps



KWC-No.

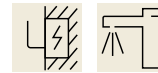
2000102697

PROTRONIC-S mains-supplied washbasin tap with touch-free operation, DN 15 with aerator and integrated flow control, for connection to pre-mixed

warm or cold water, polished chromium-plated brass. With power supply for installation in the wall, 230 V AC.

Technical Data

with backflow preventer	no
calculation flow rate cold wat	0.1 l/s
default automatic hygiene flus	not activated
default flow time	60 Seconds
depressurised	no
with filter	yes
functional principle	electronic self-closing
hygiene flushing	yes
diameter nominal	DN 15
inlet size	G 3/8
Locking mechanism	Top section, non-ceramic
material fitting	brass-look
minimum flow pressure	1 bar
type of mixing	no
Parameterization	remote control
Pop-up waste set	no
power supply connection	230 V AC
position of power connection	from bottom
Type of power supply	Transformer
protective system IP	IP55
with rosettes/cover plate	no
protective shutdown	yes
sound insulation	I-
Spout	fixed
spout projection	102 mm
surface finish fitting	chromed



KWC PROTRONIC-S Electronic pillar tap with in-wall power supply

Modell-Linie: PROTRONIC-S | AQUA135
Taps | Electronic taps

surface treatment fitting	polished
temperature limit	no
thermal disinfection	no
with transformer/power supply	yes
type of mounting	tap hole
type of operation	sensor operation
type of sensor	opto-electronic sensor
type of tap	pillar tap
volume flow rate at 3 bar	0.1 l/s
water connection	hose (gland nut)
Accent colour	none
Basic colour	chrome-look (glossy)

Optional Accessories



Remote control

2000101087
ZAQUA091



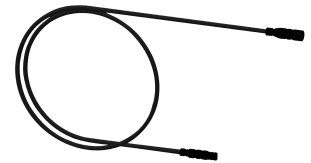
Aerator

2000101160
ZAQUA087



PURETHERM under-table thermostat

2030012758
PURE0031



Extension cable 5 m

2030043814
ACEX9010

Spare Parts



Aerator 6.0 l/min

2000104691
ASXX1015



Hose, G3/8 x M8x1

2000109491
EPRTR0029



Spare part set

2000105106
EPRTR0009



In-wall power supply

2030039825
ACEX9003