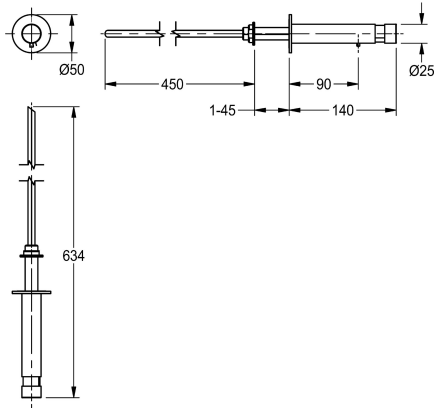


KWC

Soap dispenser for wall mounting

Modell-Linie: ACCESSOIRES | SD110

Accessories | Soap dispensers



KWC-No.

2000102699

Dimensions 50 x 50 x 634 mm (W x H x D)

Soap dispenser for wall mounting and re-filling from Serviceroom behind the wall, high polished chromated brass, requires 18 mm drilling hole, 3/8" thread, spout not movable, suitable for liquid soaps and lotions, without soap tank (can be directly connected to

soap can), for filling from behind the wall.

Dimensions 50 x 50 x 634 mm (W x H x D)

Technical Data

lock
material
overall depth
overall height
overall width
surface finish
type of consumable
type of fixing
type of mounting
type of operation
type of soap container

no lock
brass-look
634 mm
50 mm
50 mm
chromed
liquid soap
screw
counter top mounting
manual operation
external refillable tank

Consumables



Liquid soap

2030058103

Liquid soap

2000057168



KWC

Soap dispenser for wall mounting

Modell-Linie: ACCESSOIRES | SD110
Accessories | Soap dispensers

SO1LP

SO10L