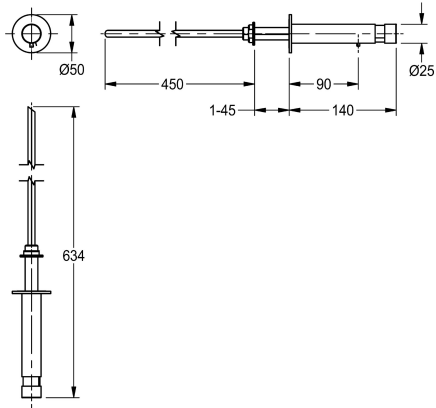


KWC

Soap dispenser for wall mounting

Modell-Linie: ACCESSOIRES | SD110

Accessories | Soap dispensers



KWC-No.

2000102699

Dimensions 50 x 50 x 634 mm (W x H x D)

Soap dispenser for wall mounting and re-filling from Serviceroom behind the wall, high polished chromated brass, requires 18 mm drilling hole, 3/8" thread, spout not movable, suitable for liquid soaps and lotions, without soap tank (can be directly connected to

soap can), for filling from behind the wall.

Dimensions 50 x 50 x 634 mm (W x H x D)

Technical Data

lock	no lock
material	brass-look
overall depth	634 mm
overall height	50 mm
overall width	50 mm
surface finish	chromed
type of consumable	liquid soap
type of fixing	screw
type of mounting	counter top mounting
type of operation	manual operation
type of soap container	external refillable tank

Consumables



Liquid soap

2030058103

Liquid soap

2000057168



KWC

Soap dispenser for wall mounting

Modell-Linie: ACCESSOIRES | SD110
Accessories | Soap dispensers

SO1LP

SO10L