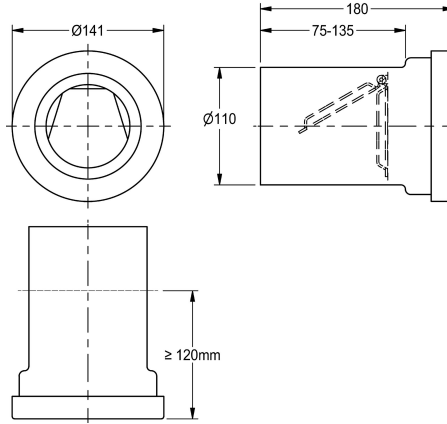


## KWC

### Communication stopper

Modell-Linie: **CAMPUS | ZCMPX0001**

WCs and urinals | Complementary parts urinals / WC



#### KWC-No.

**2000102705**

Communication preventer for the use in prisons to prevent communication between prison cells using the WC pipework, for

connection to WC flushing pipes DN 100, material PE (weldable), EN 997 approved, EN 476 approved, DIN 1389 approved.

#### Technical Data

type of flushing pipe

WC pipe extension

with crank

no