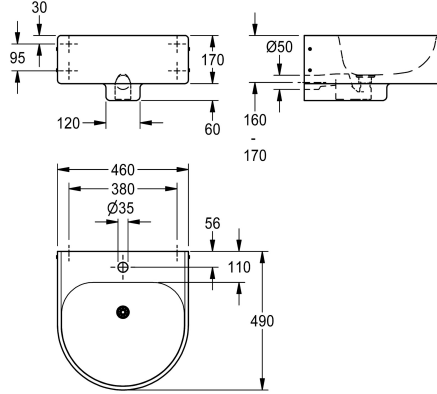


KWC ANIMA Single washbasin

Modell-Linie: HEAVYDUTY | ANMX461
Washbasins & Washtroughs | Wash basins



KWC-No.

2000102710

Dimensions 460 x 170 x 490 mm (W x H x D), without tap hole

2000102711

With 35 mm diameter tap hole, centered

2000102712

Version without tap ledge, dimensions 460 x 170/230 x 410 mm

overall depth

490 mm

490 mm

1

410 mm

Single wash basin for wall-mounting, made of stainless steel, surface satin finished, material thickness 1.2 mm. Seamless wash basin in one piece with rounded edges, tap landing with tap hole 35 mm, strainer waste valve, DN 40/50 siphon included, without overflow. Mounting from the front, fixing material included. Wash

basin suitable for areas exposed to vandalism and wheelchair users.

Dimensions of wash basin 460 x 170 x 490 mm (W x H x D)
Dimensions of bowl 420 x 140 x 360 mm (W x H x D)

Technical Data

type of basin
bowl position
bowl - bowl height
bowl finish
bowl - depth
bowl shape
bowl - width
colour
material
material code
material thickness
overall depth
overall height
overall width
overflow
rear upstand
siphon diameter
siphon included
spillway
splash back
surface finish
number of tap holes

Wash basin
center
140 mm
satin finished
360 mm
circle with straight sides
420 mm
No colour
stainless steel
1.4301 Chrome Nickel steel V2A
1.2 mm
490 mm
230 mm
460 mm
no
no
DN 50
yes
no
no
satin finished
1





KWC ANIMA
Single washbasin

Modell-Linie: HEAVYDUTY | ANMX461
Washbasins & Washtroughs | Wash basins

tap hole diameter	35 mm
tap hole position	middle
tap ledge	yes
tap ledge position	opposing
type of mounting	wall mounting
type of waste kit	welded perforated waste (non r
waste hole position	centre back
waste hole projection	215 mm
waste kit included	yes
waste size	DN 32
waste sleeve included	no