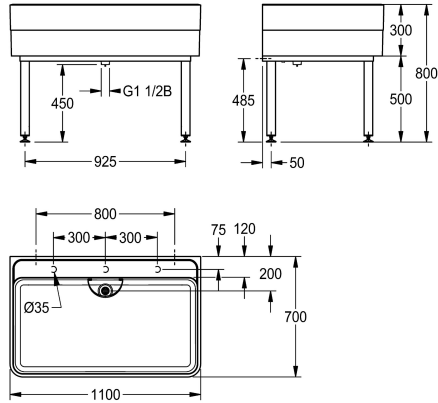


KWC SIRIUS

Workroom sink with tap ledge and stand pipe valve

Modell-Linie: SIRIUS | SIRW770

Utility sinks | Multi purpose sink



KWC-No.

2000102720

Length 1100 mm

2000102721

Length 2000 mm

overall width

1,100 mm

2,000 mm

Workroom sink made of MIRANIT resin-bonded mineral material with pore-free smooth surface (temperature-resistant up to 80 °C). Basin with integrated tap landing, without tap hole, with marking for drilling holes on the underside of the tap landing. Large inner radii, bottom of basin with 2° slope. Alpine white colour. Stand pipe valve DN 40 x 200 mm and protective strainer (removable) made of

stainless steel. Welded substructure frame, powder-coated in basin colour, adjustable base feet. Mounting material included.

Dimensions 1100 x 300/800 x 700 mm (W x H x D)
Bowl dimensions 1060 x 283 x 555 mm (W x H x D)

Technical Data

bowl - bowl height

283 mm

bowl finish

high polished

bowl - depth

555 mm

bowl - width

1,060 mm

brushes

Without brushes

drainer or storage

no

grid

no

material

mineral material

material code

Miranit

number of waste holes

1

outlet size

DN 40

overall depth

700 mm

overall height

800 mm

overall width

1,100 mm

overflow

standpipe overflow

rear upstand

no

wash riffle

no

spillway

no

splash back

no

sump

no

sump basket

no

surface finish

coated

tap ledge

yes



KWC SIRIUS

Workroom sink with tap ledge and stand pipe valve

Modell-Linie: SIRIUS | SIRW770

Utility sinks | Multi purpose sink

type of mounting	wall and floor mounting
type of utility sink	cleaner sink
type of waste kit	standpipe strainer
upper edge of basin height	800 mm
waste hole position	centre back
waste hole projection	200 mm
waste kit included	yes
waste size	DN 40