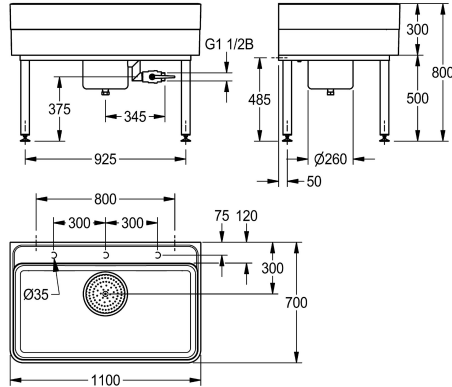


## KWC SIRIUS

Workroom sink with tap ledge and sludge bucket

Modell-Linie: SIRIUS | SIRW771

Utility sinks | Multi purpose sink



### KWC-No.

**2000102722**

Dimensions 1100 x 300/800 x 700 mm (W x H x D)

**2000102723**

Length 2000 mm

### overall width

1,100 mm

2,000 mm

Workroom sink made of MIRANIT resin-bonded mineral material with pore-free smooth surface (temperature-resistant up to 80 °C). Basin with integrated tap landing, without tap hole, with marking for drilling holes on the underside of the tap landing. Large inner radii, bottom of basin with 2° slope. Alpine white colour. Drain with under-screwed waste unit including removable sludge bucket, DN 40 overflow at waste unit and DN 25 waste outlet spigot made of

stainless steel. Waste unit with DN 40 ball cock completely fitted with tubes. Waste unit rotatable by 90°. Welded substructure frame, powder-coated in basin colour, adjustable base feet. Mounting material included.

Dimensions 1100 x 300/800 x 700 mm (W x H x D)  
Bowl dimensions 1060 x 283 x 555 mm (W x H x D)

### Technical Data

bowl - bowl height

283 mm

bowl finish

high polished

bowl - depth

555 mm

bowl - width

1,060 mm

brushes

Without brushes

drainer or storage

no

grid

no

material

mineral material

material code

Miranit

number of waste holes

1

overall depth

700 mm

overall height

800 mm

overall width

1,100 mm

overflow

no

rear upstand

no

wash riffle

no

spillway

no

splash back

no

sump

yes

sump basket

included

surface finish

coated

tap ledge

yes



## KWC SIRIUS

Workroom sink with tap ledge and sludge bucket

**Modell-Linie: SIRIUS | SIRW771**

Utility sinks | Multi purpose sink

type of mounting

wall and floor mounting

type of utility sink

cleaner sink

upper edge of basin height

800 mm

waste hole position

centre back

waste hole projection

300 mm