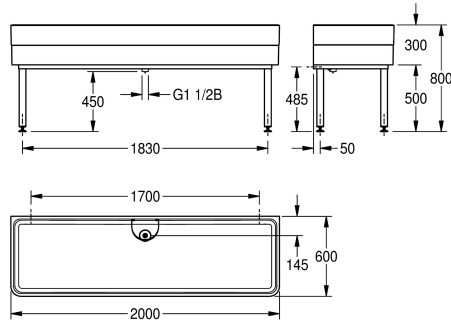


## KWC SIRIUS

### Workroom sink with stand pipe valve

Modell-Linie: SIRIUS | SIRW774

Utility sinks | Multi purpose sink



#### KWC-No.

**2000102724**

Dimensions 2000 x 300/800 x 600 mm (W x H x D)

**2000102725**

Drain with under-screwed waste unit including removable sludge bucket, DN 40 overflow

Workroom sink made of MIRANIT resin-bonded mineral material with pore-free smooth surface (temperature-resistant up to 80 °C). Basin without tap landing. Large inner radii, bottom of basin with 2° slope. Alpine white colour. Welded substructure frame, powder-coated in basin colour, adjustable base feet. Mounting material included.

Stand pipe valve DN 40 x 200 mm and protective strainer (removable) made of stainless steel.

Dimensions 2000 x 300/800 x 600 mm (W x H x D)  
Bowl dimensions 1960 x 283 x 560 mm (W x H x D)

#### Technical Data

bowl - bowl height	283 mm
bowl finish	high polished
bowl - depth	560 mm
bowl - width	1,960 mm
brushes	Without brushes
drainer or storage	no
grid	no
material	mineral material
material code	Miranit
number of waste holes	1
outlet size	DN 40
overall depth	600 mm
overall height	800 mm
overall width	2,000 mm
overflow	standpipe overflow
rear upstand	no
wash riffle	no
spillway	no
splash back	no
sump	no
sump basket	no
surface finish	coated

bowl - bowl height	283 mm
bowl finish	high polished
bowl - depth	560 mm
bowl - width	1,960 mm
brushes	Without brushes
drainer or storage	no
grid	no
material	mineral material
material code	Miranit
number of waste holes	1
outlet size	DN 40
overall depth	600 mm
overall height	800 mm
overall width	2,000 mm
overflow	standpipe overflow
rear upstand	no
wash riffle	no
spillway	no
splash back	no
sump	no
sump basket	no
surface finish	coated

## KWC SIRIUS

Workroom sink with stand pipe valve

**Modell-Linie: SIRIUS | SIRW774**

Utility sinks | Multi purpose sink

tap ledge	no
type of mounting	wall and floor mounting
type of utility sink	cleaner sink
type of waste kit	stand pipe strainer
upper edge of basin height	800 mm
waste hole position	centre back
waste hole projection	145 mm
waste kit included	yes
waste size	DN 40

### Optional Accessories



#### SIRIUS sludge trap sink

**2000102726**  
SIRW759