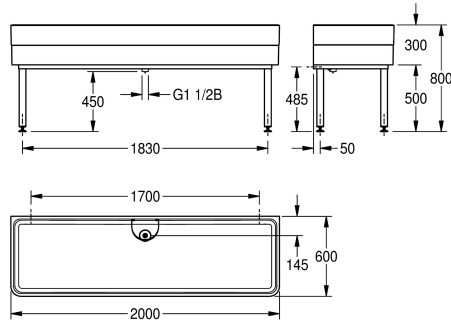


KWC SIRIUS

Workroom sink with stand pipe valve

Modell-Linie: SIRIUS | SIRW774

Utility sinks | Multi purpose sink



KWC-No.

2000102724

Dimensions 2000 x 300/800 x 600 mm (W x H x D)

Workroom sink made of MIRANIT resin-bonded mineral material with pore-free smooth surface (temperature-resistant up to 80 °C). Basin without tap landing. Large inner radii, bottom of basin with 2° slope. Alpine white colour. Welded substructure frame, powder-coated in basin colour, adjustable base feet. Mounting material included.

Stand pipe valve DN 40 x 200 mm and protective strainer (removable) made of stainless steel.

Dimensions 2000 x 300/800 x 600 mm (W x H x D)
Bowl dimensions 1960 x 283 x 560 mm (W x H x D)

Technical Data

bowl - bowl height

283 mm

bowl finish

high polished

bowl - depth

560 mm

bowl - width

1,960 mm

brushes

without brushes

drainer or storage

no

grid

no

material

mineral material

material code

Miranit

number of waste holes

1

outlet size

DN 40

overall depth

600 mm

overall height

800 mm

overall width

2,000 mm

overflow

standpipe overflow

rear upstand

no

wash riffle

no

spillway

no

splash back

no

sump

no

sump basket

no

surface finish

coated

tap ledge

no

type of mounting

wall and floor mounting

KWC SIRIUS

Workroom sink with stand pipe valve

Modell-Linie: SIRIUS | SIRW774

Utility sinks | Multi purpose sink

type of utility sink	cleaner sink
type of waste kit	standpipe strainer
upper edge of basin height	800 mm
waste hole position	centre back
waste hole projection	145 mm
waste kit included	yes
waste size	DN 40

Optional Accessories



SIRIUS sludge trap sink

2000102726

SIRW759