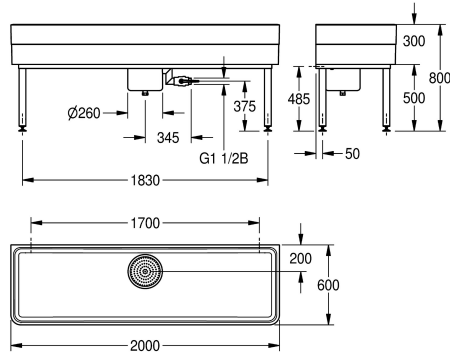


## KWC SIRIUS Workroom sink with sludge bucket

Modell-Linie: SIRIUS | SIRW775  
Utility sinks | Multi purpose sink



### KWC-No.

#### 2000102724

Dimensions 2000 x 300/800 x 600 mm (W x H x D)

#### 2000102725

Drain with under-screwed waste unit including removable sludge bucket, DN 40 overflow

Workroom sink made of MIRANIT resin-bonded mineral material with pore-free smooth surface (temperature-resistant up to 80 °C). Basin without tap landing. Large inner radii, bottom of basin with 2° slope. Alpine white colour. Welded substructure frame, powder-coated in basin colour, adjustable base feet. Mounting material included. Drain with under-screwed waste unit including removable

sludge bucket, DN 40 overflow at waste unit and DN 25 waste outlet spigot made of stainless steel. Waste unit with DN 40 ball cock completely fitted with tubes. Waste unit rotatable by 90°.

Dimensions 2000 x 300/800 x 600 mm (W x H x D)  
Bowl dimensions 1960 x 283 x 560 mm (W x H x D)

### Technical Data

bowl - bowl height
bowl finish
bowl - depth
bowl - width
brushes
drainer or storage
grid
material
material code
number of waste holes
overall depth
overall height
overall width
overflow
rear upstand
wash raffle
spillway
splash back
sump
sump basket
surface finish
tap ledge

283 mm
high polished
560 mm
1,960 mm
Without brushes
no
no
mineral material
Miranit
1
600 mm
800 mm
2,000 mm
no
no
no
no
no
yes
included
coated
no



## KWC SIRIUS

Workroom sink with sludge bucket

**Modell-Linie: SIRIUS | SIRW775**

Utility sinks | Multi purpose sink

type of mounting

wall and floor mounting

type of utility sink

cleaner sink

upper edge of basin height

800 mm

waste hole position

centre back

waste hole projection

200 mm