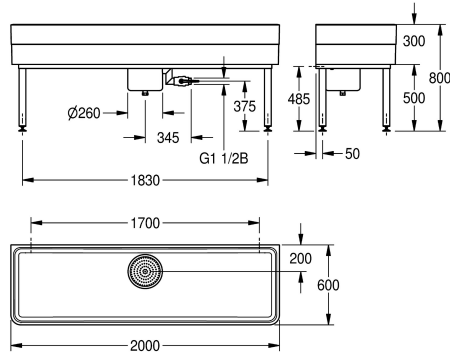


KWC SIRIUS Workroom sink with sludge bucket

Modell-Linie: SIRIUS | SIRW775
Utility sinks | Multi purpose sink



KWC-No.

2000102724

Dimensions 2000 x 300/800 x 600 mm (W x H x D)

2000102725

Drain with under-screwed waste unit including removable sludge bucket, DN 40 overflow

Workroom sink made of MIRANIT resin-bonded mineral material with pore-free smooth surface (temperature-resistant up to 80 °C). Basin without tap landing. Large inner radii, bottom of basin with 2° slope. Alpine white colour. Welded substructure frame, powder-coated in basin colour, adjustable base feet. Mounting material included. Drain with under-screwed waste unit including removable

sludge bucket, DN 40 overflow at waste unit and DN 25 waste outlet spigot made of stainless steel. Waste unit with DN 40 ball cock completely fitted with tubes. Waste unit rotatable by 90°.

Dimensions 2000 x 300/800 x 600 mm (W x H x D)
Bowl dimensions 1960 x 283 x 560 mm (W x H x D)

Technical Data

bowl - bowl height	283 mm
bowl finish	high polished
bowl - depth	560 mm
bowl - width	1,960 mm
brushes	Without brushes
drainer or storage	no
grid	no
material	mineral material
material code	Miranit
number of waste holes	1
overall depth	600 mm
overall height	800 mm
overall width	2,000 mm
overflow	no
rear upstand	no
wash riffle	no
spillway	no
splash back	no
sump	yes
sump basket	included
surface finish	coated
tap ledge	no



KWC SIRIUS

Workroom sink with sludge bucket

Modell-Linie: SIRIUS | SIRW775

Utility sinks | Multi purpose sink

type of mounting

wall and floor mounting

type of utility sink

cleaner sink

upper edge of basin height

800 mm

waste hole position

centre back

waste hole projection

200 mm