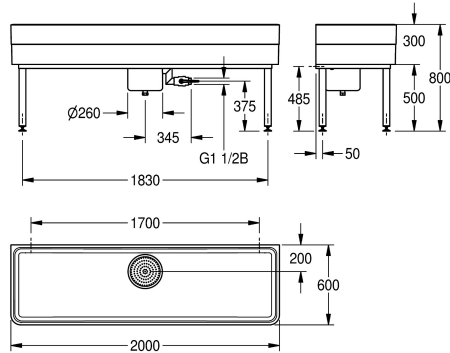


KWC SIRIUS Workroom sink with sludge bucket

Modell-Linie: SIRIUS | SIRW775
Utility sinks | Multi purpose sink



KWC-No.

2000102725

Drain with under-screwed waste unit including removable sludge bucket, DN 40 overflow

Workroom sink made of MIRANIT resin-bonded mineral material with pore-free smooth surface (temperature-resistant up to 80 °C). Basin without tap landing. Large inner radii, bottom of basin with 2° slope. Alpine white colour. Welded substructure frame, powder-coated in basin colour, adjustable base feet. Mounting material included. Drain with under-screwed waste unit including removable

sludge bucket, DN 40 overflow at waste unit and DN 25 waste outlet spigot made of stainless steel. Waste unit with DN 40 ball cock completely fitted with tubes. Waste unit rotatable by 90°.

Dimensions 2000 x 300/800 x 600 mm (W x H x D)
Bowl dimensions 1960 x 283 x 560 mm (W x H x D)

Technical Data

bowl - bowl height

283 mm

bowl finish

high polished

bowl - depth

560 mm

bowl - width

1.960 mm

brushes

without brushes

drainer or storage

no

grid

no

material

mineral material

material code

Miranit

number of waste holes

1

overall depth

600 mm

overall height

800 mm

overall width

2,000 mm

overflow

no

rear upstand

no

wash riffle

no

spillway

no

splash back

no

sump

yes

sump basket

included

surface finish

coated

tap ledge

no

type of mounting

wall and floor mounting

type of utility sink

cleaner sink



KWC SIRIUS

Workroom sink with sludge bucket

Modell-Linie: SIRIUS | SIRW775

Utility sinks | Multi purpose sink

upper edge of basin height	800 mm
waste hole position	centre back
waste hole projection	200 mm