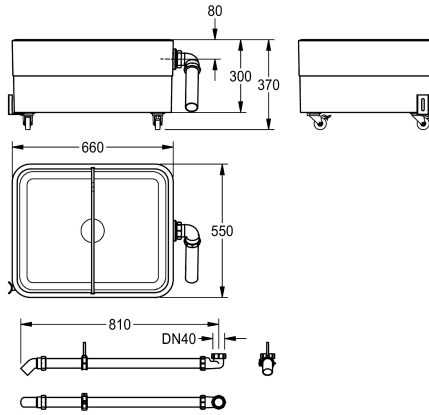


## KWC SIRIUS Sludge trap sink

Modell-Linie: SIRIUS | SIRW759  
Utility sinks | Multi purpose sink



### KWC-No.

**2000102726**

Dimensions 660 x 300/370 x 550 mm (W x H x D)

Sludge collecting basin made of MIRANIT resin-bonded mineral material with pore-free smooth surface (temperature-resistant up to 80 °C). Large inner radii. Alpine white colour. Version with 2-chamber system with removable divider made of plastic material, overflow for a controlled outflow into a customer-provided floor

drain. On lockable rolls. DN 50 overflow with PVC pipe elbow on the side. PVC pipe and pipe elbows including mounting material.

Dimensions 660 x 300/370 x 550 mm (W x H x D)

### Technical Data

bowl - bowl height	510 mm
bowl finish	high polished
bowl - depth	280 mm
bowl - width	620 mm
drainer or storage	no
grid	no
material	mineral material
material code	Miranit
material code grid	Miranit
overall depth	550 mm
overall height	370 mm
overall width	660 mm
overflow	yes
rear upstand	no
sump	yes
surface finish	high polished
tap ledge	no
type of mounting	no mounting
type of utility sink	multi purpose sink

bowl - bowl height	510 mm
bowl finish	high polished
bowl - depth	280 mm
bowl - width	620 mm
drainer or storage	no
grid	no
material	mineral material
material code	Miranit
material code grid	Miranit
overall depth	550 mm
overall height	370 mm
overall width	660 mm
overflow	yes
rear upstand	no
sump	yes
surface finish	high polished
tap ledge	no
type of mounting	no mounting
type of utility sink	multi purpose sink