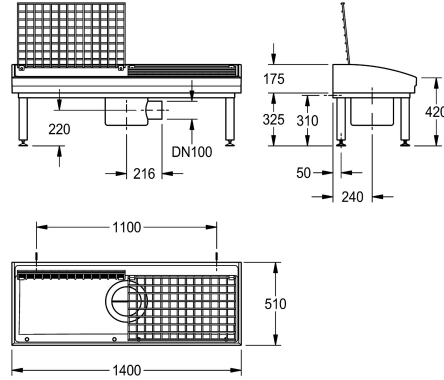


KWC SIRIUS

Shoe- and boot-cleaning unit

Modell-Linie: SIRIUS | SIRW721B

Utility sinks | Shoe and boot cleaning units



KWC-No.

2000102727

With integrated trap with 2 cleaning places, dimensions 1400 x 175/500 x 510 mm (W x H x D)

2000102728

for on-site trap with 2 cleaning places

overall width

1,400 mm

1,400 mm

Shoe and boot cleaning unit made of MIRANIT resin-bonded mineral material with pore-free smooth surface (temperature-resistant up to 80 °C). For wall mounting. Large inner radii, bottom of basin with 2° slope. Alpine white colour. Drain with under-screwed waste unit with DN 100 horizontal outlet including removable sludge bucket made of stainless steel. Waste unit rotatable by 90°. One hinged

grating made of stainless steel for each wash place. Welded substructure frame, powder-coated in basin colour, adjustable base feet. Mounting material included.

For customer-provided siphon
Dimensions 1400 x 175/500 x 510 mm (W x H x D)

Technical Data

brushes
grid
material
material code
outlet size
overall depth
overall height
overall width
splash back
sump
sump basket
surface finish
tap ledge
type of mounting
number of wash places
waste hole position

optional
hinged
mineral material
Miranit
DN 100
510 mm
500 mm
1,400 mm
no
yes
included
high polished
no
wall mounting
2
centre

Optional Accessories

KWC SIRIUS

Shoe- and boot-cleaning unit

Modell-Linie: SIRIUS | SIRW721B

Utility sinks | Shoe and boot cleaning units



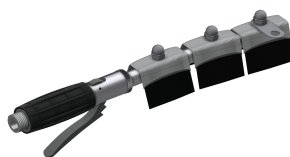
Device-connecting valve

2000101470
ZSIRW001



Suspension hook

2000101471
ZSIRW002



SIRIUS Hand brush

2000101473
ZSIRW003