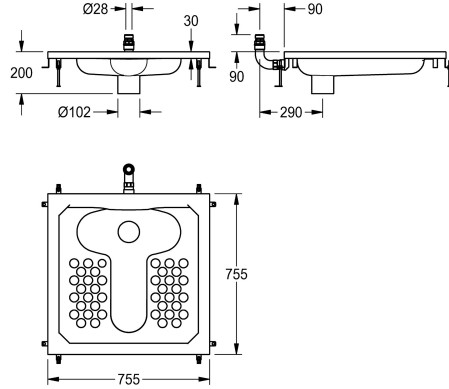


KWC CAMPUS

Squat pan

Modell-Linie: **CAMPUS | CMPX504**

WCs and urinals | Squat pans



KWC-No.

2000102732

Dimensions 755 x 200 x 755 mm (W x H x D)

Squat pan made of stainless steel, suitable for DN 20 in-wall flush valves, surface satin finished, material thickness 1 mm, 9 liter flushing capacity, with circular folded edge (22 mm) and circular flushing rim. Vertical connection from behind with screw connection

of 28 mm diameter, internal DN 100 waste outlet, fixing material and height adjustment included.

Dimensions 753 x 196 x 753 mm (W x H x D)

Technical Data

material
material code
material thickness
outlet size
overall depth
overall height
overall width
surface finish
type of mounting
type of toilet seat
type of WC

stainless steel
1.4301 Chrome Nickel steel V2A
1 mm
DN 100
755 mm
200 mm
755 mm
satin finished
inset floor mounting
no seat
squat-pan

Optional Accessories



CAMPUS Mounting support

2000102731

Trap

2000102733

Trap

2000102734



KWC CAMPUS
Squat pan

Modell-Linie: CAMPUS | CMPX504
WCs and urinals | Squat pans

ZCMPX004

ZCMPX002

ZCMPX003
