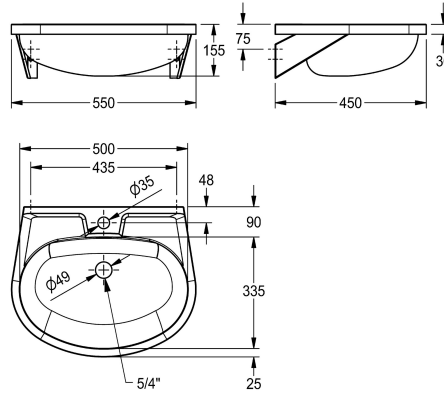


KWC ANIMA Single washbasin

Modell-Linie: ANIMA | BS205-M
Washbasins & Washtroughs | Wash basins



KWC-No.

2000090016

Without tap hole

2000103078

Without overflow, with 35 mm diameter tap hole, centered, 1 1/4 flat perforated waste

2000090017

With overflow, without tap hole, 1 1/4 stopper valve

2000103080

With overflow, with 35 mm diameter tap hole, centered, 1 1/4 stopper valve

overflow

| | |
|-----|---|
| no | |
| no | 1 |
| yes | |
| yes | 1 |

Single wash basin for wall mounting, stainless steel, surface satin finished, material thickness 1 mm, seamless welded bowl with diameter 500 x 155 x 335 mm, oval shape, 90 mm tap ledge, prewelded mounting brackets, with soap dish, includes screws and

dowels.

Plug valve with 1 1/4" with overflow and tap hole
Dimensions 550 x 155 x 450 mm (W x H x D)

Technical Data

| |
|--------------------|
| type of basin |
| bowl position |
| bowl - bowl height |
| bowl finish |
| bowl - depth |
| bowl shape |
| bowl - width |
| colour |
| material |
| material code |
| material thickness |
| overall depth |
| overall height |
| overall width |
| overflow |
| overflow position |
| rear upstand |
| siphon diameter |
| siphon included |
| splash back |

| |
|--------------------------------|
| Wash basin |
| center |
| 155 mm |
| satin finished |
| 335 mm |
| oval |
| 500 mm |
| No colour |
| stainless steel |
| 1.4301 Chrome Nickel steel V2A |
| 1 mm |
| 450 mm |
| 155 mm |
| 550 mm |
| yes |
| back |
| no |
| DN 32 |
| no |
| no |

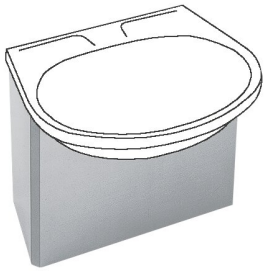


KWC ANIMA Single washbasin

Modell-Linie: ANIMA | BS205-M
Washbasins & Washtroughs | Wash basins

| | |
|-----------------------|----------------|
| surface finish | satin finished |
| number of tap holes | 1 |
| tap hole diameter | 35 mm |
| tap hole position | middle |
| tap ledge | yes |
| type of mounting | wall mounting |
| type of waste kit | plug waste |
| waste hole position | centre back |
| waste hole projection | 190 mm |
| waste kit included | yes |
| waste size | DN 32 |
| waste sleeve included | no |

Optional Accessories



ANIMA trap cover

2000058442
BS206

Spare Parts

Fixing set

2000103414
ECMPX023