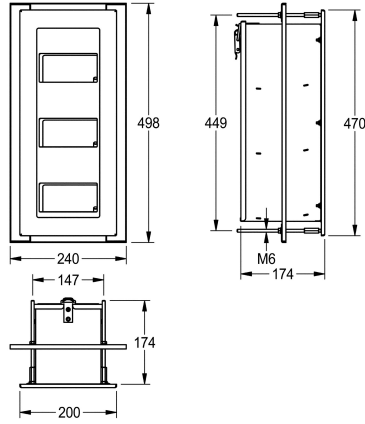


KWC HEAVY-DUTY Toilet roll holder

Modell-Linie: HEAVYDUTY | HDTX675E
Accessories | WC-roll holders



KWC-No.

2000103188

Dimensions 240 x 498 x 174 mm (W x H x D)

Triple toilet roll holder with spindle system for recessed mounting and re-filling from service room behind the wall, stainless steel, surface satin finished, material thickness 1.5 mm, mounting with stainless steel threaded rods through the wall, for 3 rolls with max.

diameter 120 mm, all 3 rolls accessible from the front, includes stainless steel rods and nuts.

Dimensions 240 x 498 x 174 mm (W x H x D)

Technical Data

maximum depth/diameter of cons	120 mm
maximum width of consumable	110 mm
filling quantity	3
filling quantity uom	rolls
material	stainless steel
material code	1.4301 Chrome Nickel steel V2A
material thickness	1.5 mm
overall depth	174 mm
overall height	498 mm
overall width	240 mm
spindle	yes
surface finish	satin finished
type of fixing	screw

