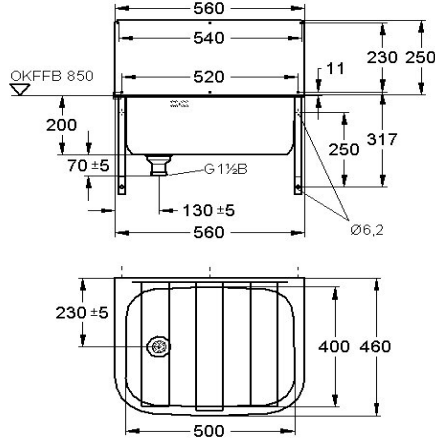


KWC SIRIUS

Utility sink, grid, splashback

Modell-Linie: SIRIUS | SIRX364

Utility sinks | Cleaners sinks



KWC-No.

2000103260

With wire shelf and splashback

Wall mounted cleaners sink made of stainless steel, surface satin finished, material thickness 1.0 mm. Without tap landing, with 20 mm rear upstand, G 1 1/2 B waste and overflow set, left centred,

with integrated wall brackets, mounting material included.

Dimensions 560 x 200 x 460 mm (W x H x D)

Technical Data

splash back height	250 mm
bowl position	center
bowl construction	radius corners
bowl - bowl height	200 mm
bowl finish	satin finished
bowl - depth	400 mm
bowl - width	500 mm
brushes	Without brushes
drainer or storage	no
grid	hinged
grid material	stainless steel
material	stainless steel
material code	1.4301 Chrome Nickel steel V2A
material code grid	1.4301 Chrome Nickel steel V2A
material thickness	1 mm
number of waste holes	1
outlet size	G 1 1/2 B
overall depth	460 mm
overall height	200 mm
overall width	560 mm
overflow	yes
rear upstand	no
wash riffle	no
spillway	yes
splash back	yes
sump	no



KWC SIRIUS

Utility sink, grid, splashback

Modell-Linie: SIRIUS | SIRX364

Utility sinks | Cleaners sinks

sump basket	no
surface finish	satin finished
tap ledge	no
type of mounting	wall mounting
type of utility sink	multi purpose sink
number of wash places	1
waste hole position	left centre
waste hole projection	230 mm
waste kit included	yes
waste size	DN 40