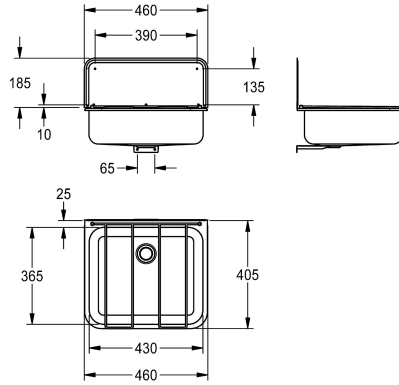


KWC SIRIUS

Utility sink

Modell-Linie: SIRIUS | SIRX368

Utility sinks | Cleaners sinks



KWC-No.

2000103269

SIRIUS utility sink, grid, splashback, dimensions 460 x 320 x 405 mm (W x H x D)

Wall basin for wall mounting, chromium nickel steel, surface silken, seamless basin, rounded edges. Without faucet, with folding grate and spout, drain at the center, plug waste and overflow set DN 40, with overflow, with rear upstand. Integrated consoles, includes mounting hardware.

Material thickness 1.0 mm
 Dimensions 460 x 135 x 405 mm (W x H x D)
 Inside dimensions 430 x 135 x 365 mm (W x H x D)
 Upstand 20 mm (H)
 Splash wall 460 x 185 mm (W x H)

Technical Data

splash back height	185 mm
bowl position	Center
bowl construction	radius corners
bowl - bowl height	135 mm
bowl finish	satin finished
bowl - depth	365 mm
bowl - width	430 mm
brushes	Without brushes
drainer or storage	no
grid	hinged
grid material	stainless steel
material	stainless steel
material code	1.4301 Chrome Nickel steel V2A
material code grid	1.4301 Chrome Nickel steel V2A
material thickness	1 mm
number of waste holes	1
outlet size	G 1 1/2 B
overall depth	405 mm
overall height	135 mm
overall width	460 mm
overflow	yes
rear upstand	no
wash riffle	no
spillway	yes

KWC SIRIUS

Utility sink

Modell-Linie: SIRIUS | SIRX368

Utility sinks | Cleaners sinks

splash back	yes
sump	no
sump basket	no
surface finish	satin finished
tap ledge	no
type of mounting	wall mounting
type of utility sink	multi purpose sink
number of wash places	1
waste hole position	centre back
waste hole projection	130 mm
waste kit included	yes
waste size	DN 40

Optional Accessories



Edge protection profile

2000105276
ESIRX0036