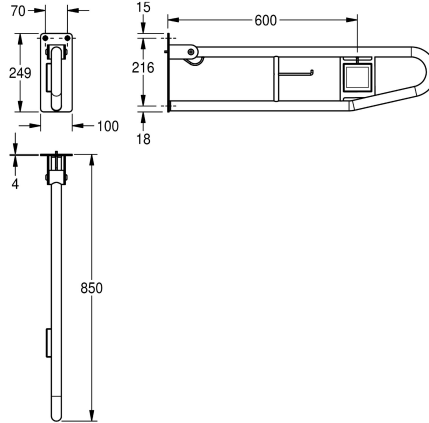


KWC CONTINA Wandklapgreep

Modell-Linie: CONTINA | CNTX72F-L
Steun- en handgrepen | Handgrepen



KWC-No.

2000103283
Spoelingsactivering rechts

2000103284
Spoelingsactivering links

Uitlijning

Rechts

Links

Foldable grab rail with electronic flush button for wall mounting, stainless steel, surface satin finished, material thickness 1.2 mm, flush button left, rough polishing for better surface feel, 32 mm pipe diameter, stirrup shape, integrated toilet roll holder, electronic flush button in front area, prevention against unmeant folding, gum rubber

stop absorber, 4 mm thick mounting plate with three fixing holes, including stainless steel screws and dowels.

Dimensions 100 x 250 x 850 (W x H xD)
Protection class IP40

Technical Data

Uitlijning
Rug
Verborgen bevestiging
Opklapbaar
Materiaal
Materiaalcode
Materiaaldikte
Totale diepte
Totale hoogte
Totale breedte
Oppervlakafwerking
Type handgreep
Type montage

Links
Neen
Neen
Ja
Roestvrij staal
1.4301
1.2 mm
850 mm
250 mm
100 mm
Zijdeglans
Steun
Wandmontage