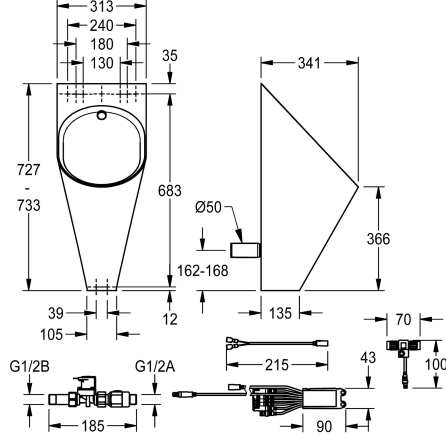


KWC CAMPUS Urinal

Modell-Linie: **CAMPUS | CMPX538RS**
WCs and urinals | Single urinal



KWC-No.

2000071872

Version for installation from the front, with mounting clamp and concealed mounting

2000103380

Version as urinal with concealed flushing control, for installation from the front, with mounting clamp and concealed mounting

Single urinal for wall mounting, stainless steel, surface satin finished, material thickness 1.2 mm, oval bowl, hidden horizontal outlet towards wall, mounting and fixing conform to EN 80, hidden screws, included trap DN 50, included mounting bracket and domed waste.

type of waste kit

domed waste

perforated waste

With stainless steel spreader 1/2" and ring sensor
Dimensions 313 x 732 x 341 mm (W x H x D)

Technical Data

inlet size
material
material code
material thickness
outlet size
overall depth
overall height
overall width
siphon included
surface finish
type of flushing
type of mounting
type of urinal
type of waste kit
water inlet
water outlet

G 1/2 B
stainless steel
1.4301 Chrome Nickel steel V2A
1.2 mm
DN 50
341 mm
732 mm
313 mm
yes
satin finished
water flushed
wall mounting
single urinal
perforated waste
concealed
concealed

Spare Parts



KWC CAMPUS

Urinal

Modell-Linie: CAMPUS | CMPX538RS
WCs and urinals | Single urinal

Spreader

2000103382
ECMPX013
