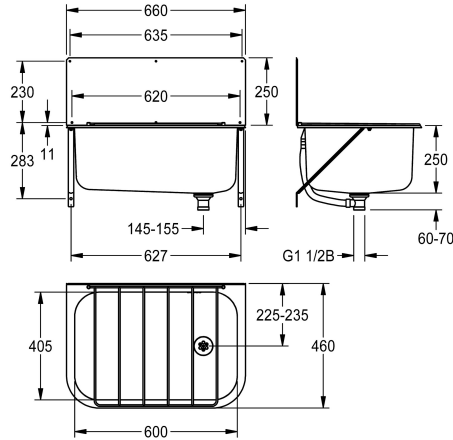


## KWC SIRIUS

Utility sink, grid, splashback

Modell-Linie: SIRIUS | SIRX355

Utility sinks | Multi purpose sink



### KWC-No.

**2000103647**

Dimensions 660 x 500 x 460 mm (W x H x D)

Multi-purpose sinks for wall mounting, made of 304 chrome-nickel steel, satin finished surface, seamless welded wash basin, rounded edges. Without tap ledge, with folding grid and splashback, waste fitting at the right in the middle, waste set with ball stop valve and overflow set DN 40, with overflow and rear upstand. With brackets, including mounting material.

Material thickness 1.5 mm  
 Dimensions 660 x 250 x 460 mm (W x H x D)  
 Internal dimensions 600 x 250 x 405 mm (W x H x D)  
 Upstand 20 mm (H)  
 Splashback 660 x 250 mm (W x H)

### Technical Data

splash back height	250 mm
bowl position	center
bowl construction	radius corners
bowl - bowl height	250 mm
bowl finish	satin finished
bowl - depth	405 mm
bowl - width	600 mm
brushes	Without brushes
drainer or storage	no
grid	hinged
grid material	stainless steel
material	stainless steel
material code	1.4301 Chrome Nickel steel V2A
material code grid	1.4301 Chrome Nickel steel V2A
material thickness	1.5 mm
number of waste holes	1
outlet size	G 1 1/2 B
overall depth	460 mm
overall height	250 mm
overall width	660 mm
overflow	yes
rear upstand	no
wash riffle	no
spillway	yes



## KWC SIRIUS

Utility sink, grid, splashback

### Modell-Linie: SIRIUS | SIRX355

Utility sinks | Multi purpose sink

splash back	yes
sump	no
sump basket	no
surface finish	satın finished
tap ledge	no
type of mounting	wall mounting
type of utility sink	multi purpose sink
number of wash places	1
waste hole position	right centre
waste hole projection	230 mm
waste kit included	yes
waste size	DN 40