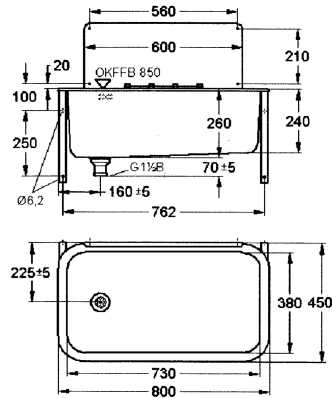


KWC SIRIUS Multi purpose sink

Modell-Linie: SIRIUS | SIRX356
Utility sinks | Multi purpose sink



KWC-No.

2000103648

SIRIUS utility sink, dimensions 800 x 260 x 450 mm (W x H x D)

Wall mounted multi purpose sink, stainless steel, surface stain finished, material thickness 1.5 mm, seamless welded bowl, rounded edges. Without tap ledge, with folding grid and splashback, waste left centered, G 1 1/2 B waste and overflow set, with overflow, without rear upstand. With wall brackets, mounting

material included.

Dimensions 800 x 260 x 450 mm (W x H x D)
Inside dimensions 730 x 260 x 380 mm (W x H x D)
Splashback 600 x 250 mm (W x H)

Technical Data

splash back height	250 mm
bowl position	Center
bowl construction	radius corners
bowl - bowl height	260 mm
bowl finish	satin finished
bowl - depth	380 mm
bowl - width	730 mm
brushes	Without brushes
drainer or storage	no
grid	hinged
grid material	stainless steel
material	stainless steel
material code	1.4301 Chrome Nickel steel V2A
material code grid	1.4301 Chrome Nickel steel V2A
material thickness	1.5 mm
number of waste holes	1
outlet size	G 1 1/2 B
overall depth	450 mm
overall height	260 mm
overall width	800 mm
overflow	yes
rear upstand	no
wash riffle	no
spillway	yes
splash back	yes

KWC SIRIUS Multi purpose sink

Modell-Linie: SIRIUS | SIRX356
Utility sinks | Multi purpose sink

sump	no
sump basket	no
surface finish	satin finished
tap ledge	no
type of mounting	wall mounting
type of utility sink	multi purpose sink
number of wash places	1
waste hole position	left centre
waste hole projection	225 mm
waste kit included	yes
waste size	DN 40

Optional Accessories



Edge protection profile

2000105276
ESIRX0036