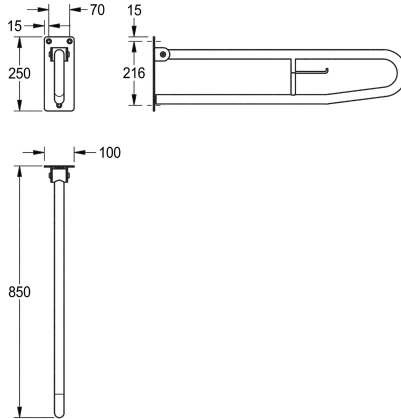


## KWC CONTINA Hinged grab rail

Modell-Linie: CONTINA | CNTX73A  
Grab rails | Grab rail



### KWC-No.

**2000103669**

Dimensions 100 x 249 x 850 mm (W x H x D)

**2000057751**

Lenght 700 mm

### overall depth

850 mm

700 mm

Foldable grab rail with toilet roll holder for wall mounting, stainless steel, surface satin finished, rough polishing for better surface feel, 32 mm pipe diameter, material thickness 1.2 mm, integrated toilet roll holder, prevention against unmeant folding, gum rubber stop absorber, 4 mm thick mounting plate with three fixing holes, includes

stainless steel screws and dowels.

Dimensions 100 x 250 x 850 mm (W x H x D)  
Complying with Norm ÖNORM B 1600:2017 (when upfolded, bar shows max. 20 cm towards room)

### Technical Data

back
bending angle
colour
number of fixing points
hidden fixing
hinged
material
material code
material thickness
overall depth
overall height
overall width
pipe diameter
surface finish
type of fixing
type of grab rail
type of mounting

no
180 Degree
no colour
3
no
yes
stainless steel
1.4301 Chrome Nickel steel V2A
1.2 mm
850 mm
250 mm
100 mm
32 mm
satin finished
screw
support bar
wall mounting