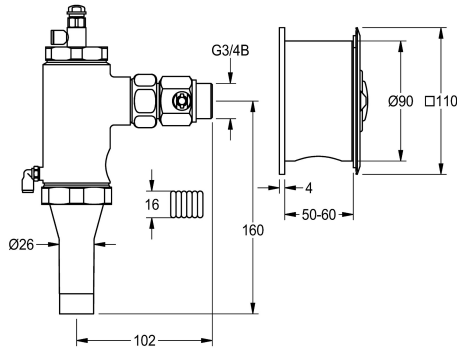


KWC AQUALINE WC flushing valve

Modell-Linie: AQRM554C

Flushing systems | Self closing wc flushing system



KWC-No.

2000103712

2000101061

Version without noise group I

AQUALINE WC flush valve DN 20 with noise group I with remote control, for vandal resistant applications, installation of flush valve outside

sound insulation

yes

no

the user room, remote control in wall installation box with stainless steel cover plate and metal push button.

Technical Data

calculation flow rate cold wat

1 l/s

Cover plate height

110 mm

Cover plate width

110 mm

functional principle

hydraulic self-closing

diameter nominal

DN 20

material casing

stainless steel

material code casing

1.4301 Chrome Nickel steel V2A

material fitting

brass

maximum flow pressure

4 bar

maximum flushing flow

1.3 l/s

maximum flush water volume

9 Liter

minimum flow pressure

1.2 bar

minimum flushing flow

1 l/s

minimum flush water volume

6 Liter

protective shutdown

no

sound insulation

yes

surface finish casing

satın finished

surface finish fitting

raw

type of flushing fitting

WC flush valve

type of mounting

concealed

type of operation

manual operation

water connection

threaded connection (external)

Basic colour

stainless steel

Spare Parts

KWC AQUALINE WC flushing valve

Modell-Linie: AQRM54C

Flushing systems | Self closing wc flushing system



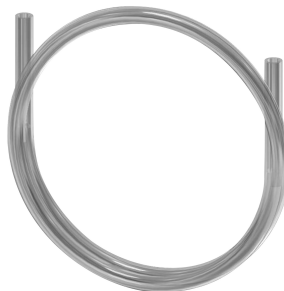
Remote operation valve

2000104780
EFLSY0027



Upper part

2000104384
EFLSY0004



Remote operation hose

2000104803
EAQLN0019