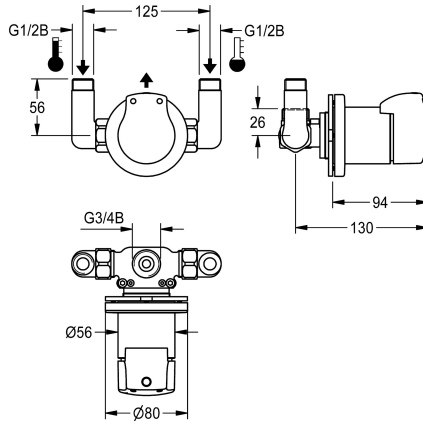
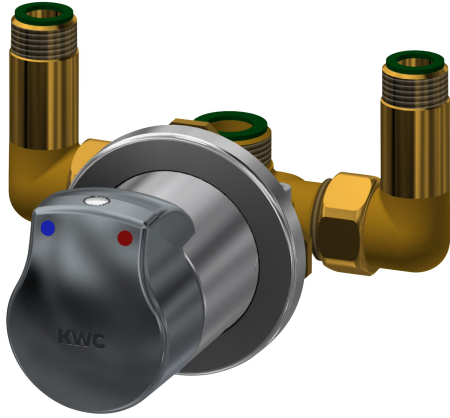


KWC Self-closing mixer

Modell-Linie: AQUAMIX | AQMX0002
Showers | Self closing showers



KWC-No.

2000103747

AQUAMIX self-closing single mixer DN 15 for installation in stainless steel housings or claddings, for connection to hot and cold water,

flow time adjustable, polished chromium-plated brass.

Technical Data

additional connections	no
with backflow preventer	yes
calculation flow rate cold water	0.15 l/s
calculation flow rate hot water	0.15 l/s
circulation	no
connection with pay water disp	not possible
with filter	yes
adjustable flow time	yes
functional principle	hydraulic self-closing
for hand shower	no
hygiene flushing	no
diameter nominal	DN 15
inlet size	G 1/2 B
Locking mechanism	Top section, non-ceramic
material fitting	brass
maximum flow time	50 Seconds
minimum flow pressure	1 bar
minimum flow time	1 Seconds
type of mixing	yes
with rosettes/cover plate	yes
protective shutdown	no
shower pipe draining	no
sound insulation	no
surface finish fitting	chromed
surface treatment fitting	polished
temperature limit	yes



KWC

Self-closing mixer

Modell-Linie: AQUAMIX | AQMX0002

Showers | Self closing showers

thermal disinfection	no
type of mounting	mounted on product
type of operation	manual operation
type of shower	fitting for stainless steel ho
volume flow rate at 3 bar	0.28 l/s
water connection	threaded connection (external)
Accent colour	none
Basic colour	chrome-look (glossy)