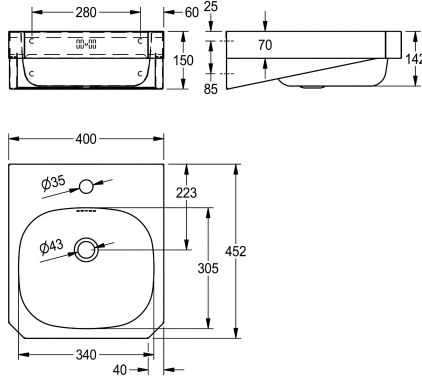


## KWC ANIMA Single washbasin

Modell-Linie: ANIMA | WT400C-M  
Washbasins & Washtroughs | Wash basins



### KWC-No.

**203.0499.147**

**2000103763**

With 35 mm diameter tap hole, centered

1

Single wash basin for wall mounting, stainless steel, surface satin finished, material thickness 1 mm, seamless welded bowl with diameter 340 x 300 x 140 mm, rectangular shape, 120 mm tap ledge, with overflow, 1 1/4" plug waste, drainage rewards centric, front panel with 45° corner edges, prewelded mounting brackets,

mounting conform EN 31, includes screws and dowels.

With taphole  
Dimensions 400 x 150 x 452 mm (W x H x D)

### Technical Data

type of basin
bowl position
bowl - bowl height
bowl finish
bowl - depth
bowl shape
bowl - width
colour
material
material code
material thickness
overall depth
overall height
overall width
overflow
overflow position
rear upstand
siphon diameter
siphon included
splash back
surface finish
number of tap holes
tap hole diameter
tap hole position

Wash basin
Center
142 mm
satin finished
305 mm
rounded rectangle
340 mm
no colour
stainless steel
1.4301 Chrome Nickel steel V2A
1 mm
452 mm
150 mm
400 mm
yes
back
no
DN 32
no
optional
satin finished
1
35 mm
middle



## KWC ANIMA Single washbasin

Modell-Linie: ANIMA | WT400C-M  
Washbasins & Washtroughs | Wash basins

tap ledge	yes
type of mounting	wall mounting
type of waste kit	plug waste
waste hole position	centre back
waste hole projection	223 mm
waste kit included	yes
waste size	DN 32
waste sleeve included	no

### Optional Accessories



#### ANIMA splash back

**2000100065**  
SB400