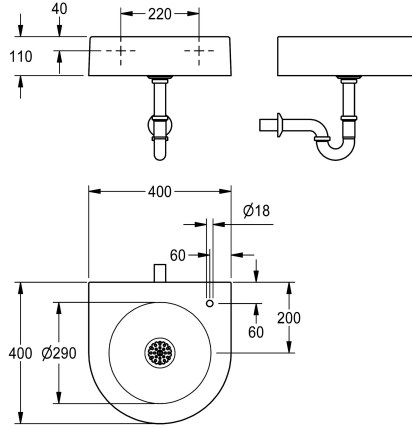


KWC ANIMA Wall-mounted drinking fountain

Modell-Linie: ANIMA | SIRW24D
Drinking fountains | Drinking fountains



KWC-No.

2000105177

Wall-mounted drinking fountain made of MIRANIT resin-bonded mineral material with pore-free smooth surface (temperature-resistant up to 80 °C), Alpine white colour. With seamlessly moulded round bowl, without overflow, with tap hole 18 mm (D) on the right. Mounted via back panel. Circumference of apron 110 mm (H). With

strainer waste G 1 1/4 B, siphon G 1 1/4 B, including mounting materials.

Dimensions 400 x 110 x 400 mm (W x H x D)
Bowl dimensions 290 x 75 mm (D x H)

Technical Data

bowl - bowl height
bowl - depth
bowl - width
drinking bubbler
glass filler
material
material code
outlet size
overall depth
overall height
overall width
surface finish
type of mounting
waste hole position
waste hole projection
waste kit included
waste size

80 mm
290 mm
290 mm
optional
optional
mineral material
Miranit
DN 32
400 mm
110 mm
400 mm
coated
wall mounting
centre
200 mm
yes
DN 32

Mandatory Accessories

KWC ANIMA

Wall-mounted drinking fountain

Modell-Linie: ANIMA | SIRW24D

Drinking fountains | Drinking fountains



ANIMA drinking fountain tap

213.0654.085
ANMX-BU



ANIMA bottle filler tap

213.0654.086
ANMX-BT



Self-closing drinking bubbler

2000101118
AQRM304