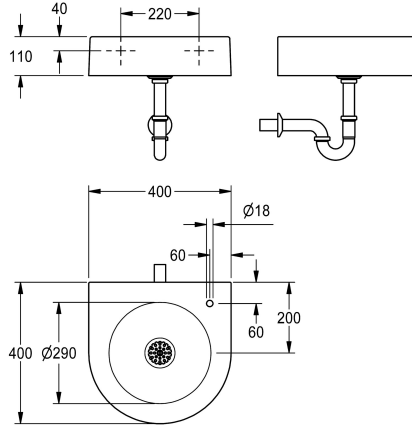


KWC ANIMA Wall-mounted drinking fountain

Modell-Linie: ANIMA | SIRW24D
Drinking fountains | Drinking fountains



KWC-No.

2000105177

Wall-mounted drinking fountain made of MIRANIT resin-bonded mineral material with pore-free smooth surface (temperature-resistant up to 80 °C), Alpine white colour. With seamlessly moulded round bowl, without overflow, with tap hole 18 mm (D) on the right. Mounted via back panel. Circumference of apron 110 mm (H). With

strainer waste G 1 1/4 B, siphon G 1 1/4 B, including mounting materials.

Dimensions 400 x 110 x 400 mm (W x H x D)
Bowl dimensions 290 x 75 mm (D x H)

Technical Data

| |
|-----------------------|
| bowl - bowl height |
| bowl - depth |
| bowl - width |
| drinking bubbler |
| glass filler |
| material |
| material code |
| outlet size |
| overall depth |
| overall height |
| overall width |
| surface finish |
| type of mounting |
| waste hole position |
| waste hole projection |
| waste kit included |
| waste size |

| |
|------------------|
| 80 mm |
| 290 mm |
| 290 mm |
| optional |
| optional |
| mineral material |
| Miranit |
| DN 32 |
| 400 mm |
| 110 mm |
| 400 mm |
| coated |
| wall mounting |
| centre |
| 200 mm |
| yes |
| DN 32 |

Mandatory Accessories

KWC ANIMA

Wall-mounted drinking fountain

Modell-Linie: ANIMA | SIRW24D

Drinking fountains | Drinking fountains



ANIMA drinking fountain tap

213.0654.085
ANMX-BU



ANIMA bottle filler tap

213.0654.086
ANMX-BT



Self-closing drinking bubbler

2000101118
AQRM304