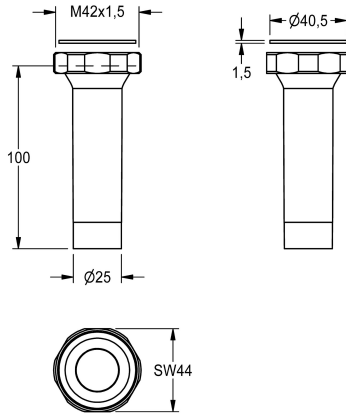


KWC

Outlet screw connection

Modell-Linie: SPARE-PARTS-GENER. | EAQLN0018

Spare parts | Spare parts flushing systems



KWC-No.

2000106164

Outlet screw connection for WC flush valve DN 20 for in-wall installation.

Technical Data

quantity

1

quantity uom

piece