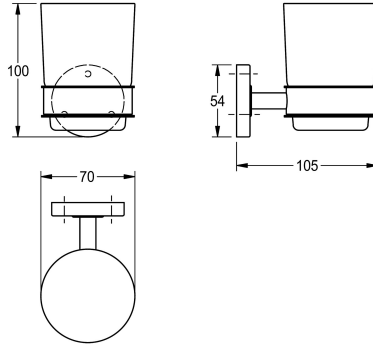


KWC

MEDIUS Tumbler holder for wall mounting

Modell-Linie: MEDIUS | MEDX006

Accessoires Hotel & Residential | Tumbler & soap holder



KWC-No.

2000106251

Surface high polished Dimensions 70 x 100 x 105 mm (W x H x D)

2000106250

Surface satin finished

Tumbler holder for wall mounting, 304 stainless steel, glass cup, round covers to conceal the fixing of screws, includes stainless steel screws and dowels.

Surface satin finished
Dimensions 70 x 100 x 105 mm (W x H x D)