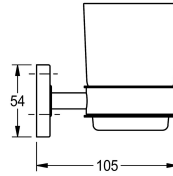
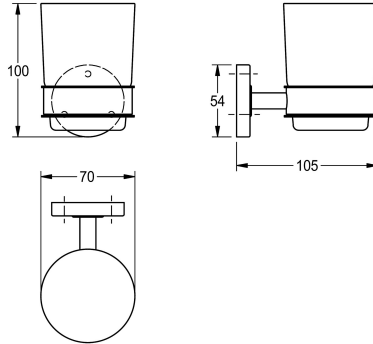


KWC MEDIUS Tumbler holder

Modell-Linie: MEDIUS | MEDX006HP
Accessoires Hotel & Residential | Tumbler & soap holder



KWC-No.

2000106251

Surface high polished Dimensions 70 x 100 x 105 mm (W x H x D)

Tumbler holder for wall mounting, 304 stainless steel, glass cup, round covers to conceal the fixing of screws, includes stainless steel screws and dowels.

Surface high polished
Dimensions 70 x 100 x 105 mm (W x H x D)