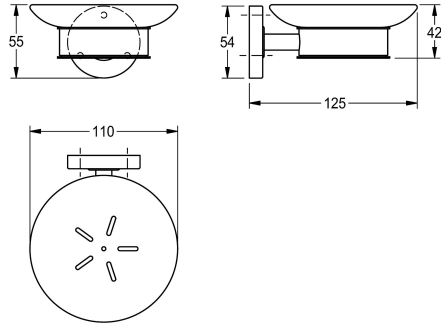


KWC MEDIUS

Soap tray

Modell-Linie: MEDIUS | MEDX007HP

Accessoires Hotel & Residential | Tumbler & soap holder



KWC-No.

2000106253

Surface high polished Dimensions 110 x 55 x 125 mm (W x H x D)

surface finish

high polished

Soap dish for wall mounting, 304 stainless steel, glass dish, round covers to conceal the fixing of screws, includes stainless steel screws and dowels.

Surface high polished
Dimensions 110 x 55 x 125 mm (W x H x D)

Technical Data

material
material code
overall depth
overall height
overall width
surface finish
type of fixing
type of mounting

stainless steel
1.4301 Chrome Nickel steel V2A
125 mm
55 mm
110 mm
high polished
screw
wall mounting