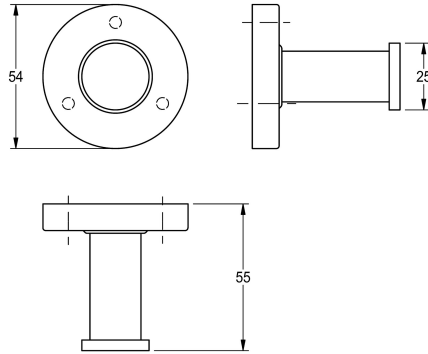


KWC MEDIUS Single robe hook for wall mounting

Modell-Linie: MEDIUS | MEDX010
Accessoires Hotel & Residential | Towel & robe holder Hotel



KWC-No.

2000106255

Surface high polished Dimensions 54 x 54 x 55 mm (W x H x D)

2000106254

Surface satin finished

surface finish

high polished

satin finished

Single robe hook for wall mounting, 304 stainless steel, round cover to conceal the fixing of screws, includes stainless steel screws and dowels.

Surface satin finished
Dimensions 54 x 54 x 55 mm (W x H x D)

Technical Data

number of hooks

1

material

stainless steel

material code

1.4301 Chrome Nickel steel V2A

overall depth

55 mm

overall height

54 mm

overall width

54 mm

surface finish

satin finished

type of fixing

screw

type of mounting

wall mounting