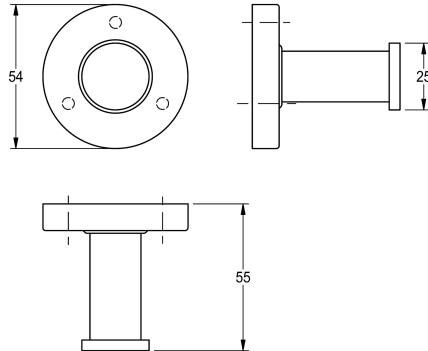


## KWC MEDIUS

Robe hook

Modell-Linie: MEDIUS | MEDX010HP

Accessoires Hotel & Residential | Towel & robe holder Hotel



### KWC-No.

**2000106255**

Surface high polished Dimensions 54 x 54 x 55 mm (W x H x D)

**2000106254**

Surface satin finished

### surface finish

high polished

satin finished

Single robe hook for wall mounting, 304 stainless steel, round cover to conceal the fixing of screws, includes stainless steel screws and dowels.

Surface high polished  
Dimensions 54 x 54 x 55 mm (W x H x D)

### Technical Data

number of hooks

1

material

stainless steel

material code

1.4301 Chrome Nickel steel V2A

overall depth

55 mm

overall height

54 mm

overall width

54 mm

surface finish

high polished

type of fixing

screw

type of mounting

wall mounting