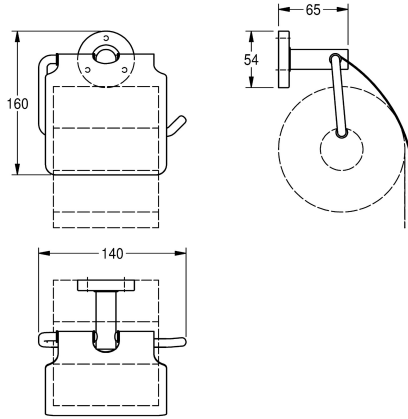


## KWC MEDIUS Toilet roll holder for wall mounting

**Modell-Linie: MEDIUS | MEDX111**  
Accessoires Hotel & Residential | WC roll holder Hotel & Res.



### KWC-No.

#### 2000106263

Surface high polished Dimensions 140 x 160 x 65 mm (W x H x D)

#### 2000106262

Surface satin finished

### surface finish

high polished

satin finished

Toilet roll holder for wall mounting, 304 stainless steel, for 1 roll with max. Ø 130 mm, stainless steel folding cover, round cover to conceal the fixing of screws, includes stainless steel screws and dowels.

Surface satin finished  
Dimensions 140 x 160 x 65 mm (W x H x D)

### Technical Data

filling quantity

1

lock

no lock

material

stainless steel

material code

1.4301 Chrome Nickel steel V2A

overall depth

66 mm

overall height

160 mm

overall width

140 mm

spindle

no

surface finish

satin finished

type of fixing

screw

type of mounting

wall mounting