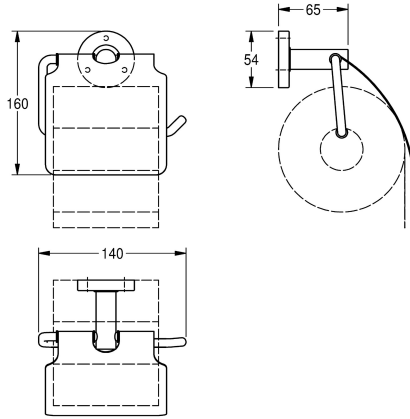


## KWC MEDIUS Toilet roll holder

Modell-Linie: MEDIUS | MEDX111HP  
Accessoires Hotel & Residential | WC roll holder Hotel & Res.



### KWC-No.

**2000106263**

Surface high polished Dimensions 140 x 160 x 65 mm (W x H x D)

### surface finish

high polished

Toilet roll holder for wall mounting, 304 stainless steel, for 1 roll with max. diameter 130 mm, stainless steel folding cover, round cover to conceal the fixing of screws, includes stainless steel screws and dowels.

Surface high polished  
Dimensions 140 x 160 x 65 mm (W x H x D)

### Technical Data

filling quantity	1
lock	no lock
material	stainless steel
material code	1.4301 Chrome Nickel steel V2A
overall depth	66 mm
overall height	160 mm
overall width	140 mm
spindle	no
surface finish	high polished
type of fixing	screw
type of mounting	wall mounting

filling quantity	1
lock	no lock
material	stainless steel
material code	1.4301 Chrome Nickel steel V2A
overall depth	66 mm
overall height	160 mm
overall width	140 mm
spindle	no
surface finish	high polished
type of fixing	screw
type of mounting	wall mounting