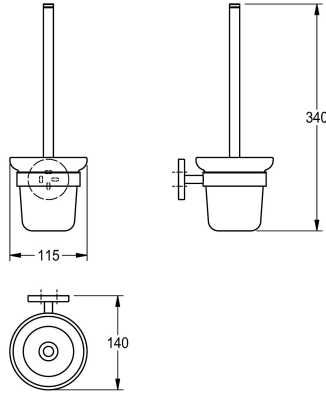


KWC FIRMUS Toilet brush holder

Modell-Linie: FIRMUS | FIRX005HP
Accessoires Hotel & Residential | Toilet brush holders Hotel & Res.



KWC-No.

2000106273

Surface high polished Dimensions 115 x 340 x 140 mm (W x H x D)

Toilet brush holder for wall mounting, 304 stainless steel handle with nylon brush, glass cup, round covers to conceal the fixing of screws, includes stainless steel screws and dowels.

surface finish

high polished

Surface high polished
Dimensions 115 x 340 x 140 mm (W x H x D)

Technical Data

| |
|------------------|
| brush colour |
| material |
| material code |
| overall depth |
| overall height |
| overall width |
| surface finish |
| type of brush |
| type of fixing |
| type of mounting |

| |
|--------------------------------|
| white |
| stainless steel |
| 1.4301 Chrome Nickel steel V2A |
| 140 mm |
| 340 mm |
| 115 mm |
| high polished |
| nylon |
| screw |
| wall mounting |