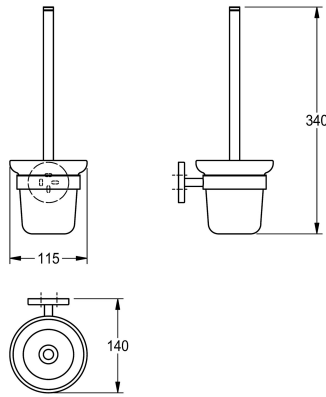


## KWC FIRMUS Toilet brush holder

Modell-Linie: **FIRMUS | FIRX005HP**  
Accessoires Hotel & Residential | Toilet brush holders Hotel & Res.



### KWC-No.

**2000106273**

Surface high polished Dimensions 115 x 340 x 140 mm (W x H x D)

**2000106272**

Surface satin finished

### surface finish

high polished

satin finished

Toilet brush holder for wall mounting, 304 stainless steel handle with nylon brush, glass cup, round covers to conceal the fixing of screws, includes stainless steel screws and dowels.

Surface high polished  
Dimensions 115 x 340 x 140 mm (W x H x D)

### Technical Data

brush colour

white

material

stainless steel

material code

1.4301 Chrome Nickel steel V2A

overall depth

140 mm

overall height

340 mm

overall width

115 mm

surface finish

high polished

type of brush

nylon

type of fixing

screw

type of mounting

wall mounting