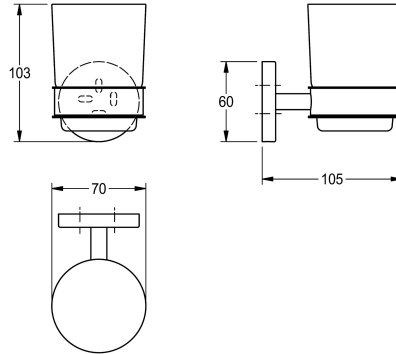


## KWC FIRMUS

FIRMUS Tumbler holder for wall mounting

Modell-Linie: FIRMUS | FIRX006

Accessoires Hotel & Residential | Tumbler & soap holder



### KWC-No.

**2000106275**

Surface high polished Dimensions 70 x 103 x 105 mm (W x H x D)

**2000106274**

Surface satin finished

Tumbler holder for wall mounting, 304 stainless steel, glass cup, round covers with drilled hole on bottom for fixation, includes stainless steel screws and dowels.

Surface satin finished  
Dimensions 70 x 103 x 105 mm (W x H x D)