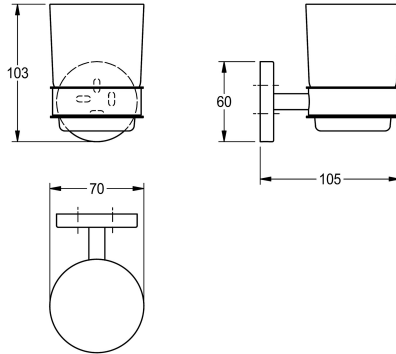


## KWC FIRMUS Tumbler holder

Modell-Linie: FIRMUS | FIRX006HP  
Accessoires Hotel & Residential | Tumbler & soap holder



### KWC-No.

**2000106275**

Surface high polished Dimensions 70 x 103 x 105 mm (W x H x D)

Tumbler holder for wall mounting, 304 stainless steel, glass cup, round covers with drilled hole on bottom for fixation, includes stainless steel screws and dowels.

Surface high polished  
Dimensions 70 x 103 x 105 mm (W x H x D)