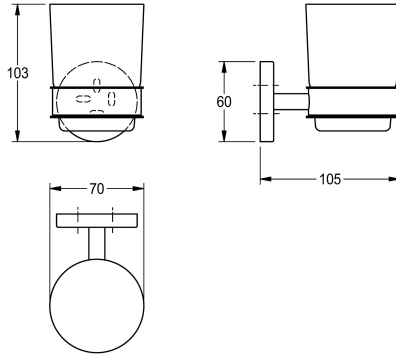


KWC FIRMUS Tumbler holder

Modell-Linie: FIRMUS | FIRX006HP
Accessoires Hotel & Residential | Tumbler & soap holder



KWC-No.

2000106275

Surface high polished Dimensions 70 x 103 x 105 mm (W x H x D)

2000106274

Surface satin finished

Tumbler holder for wall mounting, 304 stainless steel, glass cup, round covers with drilled hole on bottom for fixation, includes stainless steel screws and dowels.

Surface high polished
Dimensions 70 x 103 x 105 mm (W x H x D)