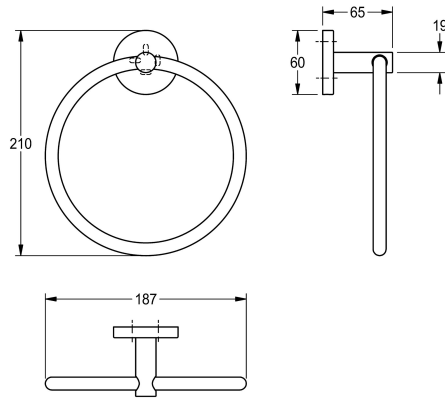


## KWC FIRMUS

### FIRMUS Towel ring for wall mounting

Modell-Linie: FIRMUS | FIRX104

Accessoires Hotel & Residential | Towel & rob holder Hotel



#### KWC-No.

**2000106283**

Surface high polished Dimensions 187 x 210 x 65 mm (W x H x D)

**2000106282**

Surface satin finished

#### surface finish

high polished

satin finished

#### surface finish

high polished

Towel ring for wall mounting, 304 stainless steel, round covers with drilled hole on bottom for fixation, includes stainless steel screws and dowels.

Surface satin finished  
Dimensions 187 x 210 x 65mm (W x H x D)

#### Technical Data

material	stainless steel
material code	1.4301 Chrome Nickel steel V2A
overall depth	65 mm
overall height	210 mm
overall width	187 mm
surface finish	satin finished
type of fixing	screw
type of mounting	wall mounting

material	stainless steel
material code	1.4301 Chrome Nickel steel V2A
overall depth	65 mm
overall height	210 mm
overall width	187 mm
surface finish	satin finished
type of fixing	screw
type of mounting	wall mounting